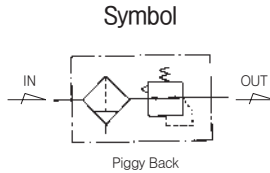


Series PP4

Piggyback 3/8" and 1/2"



Standard Specifications

Fluid		Air
Max. Operating Pressure (MPa)		1.0(140psi)
Proof Pressure (MPa)		1.5(200psi)
Set Pressure (MPa)	Standard	0.05~1.0(7~140psi)
	Made to Order Specifications	0.05-0.2(7-30psi), 0.05-0.4(7-60psi), 0.05-1.5(7-200psi)
Ambient and Fluid Temperature (°C)		-5~60(23~140°F) (Non-freezing)
Flow Capacity ※	3/8"	3,800(134scfm)
	1/2"	4,700(166scfm)
Filtration (μm)		5
Construction		Relieving Style
Bowl Material		Polycarbonate
Bowl Guard Material		Nylon
Drain Capacity (cm ³)		Manual Drian : 56(1.89oz), Auto Drain : 68(2.3oz)
Weight (kg)		0.74(1.63lb)

※ Test conditions : Supply pressure 0.7MPa(100psi), pre-set pressure 0.6MPa(90psi)

How to Order

PP 4 — * 04 B D G — *

Series (Piggyback Unit)

Thread

Blank	Rc(PT)
N	NPT
G	G(PF)

Port Size

03	3/8
04	1/2

Bracket Option

Blank	None
B	Bracket + Panel Net
B1	Panel Net

Note1) Separately packed, Not assembled.
Note2)

Other Option

Blank	Set at 0 to 1.0 MPa, 5μm (Standard)		
2	Set at 0 to 0.2 MPa	J4	Filter element - 40μm
4	Set at 0 to 0.4 MPa	K	Built-in Check Valve
15	Set at 0 to 1.5 MPa	R	Flow Direction : Right - Left
E	Non-Relieving Type	T	Tamper Resistant Kit
J2	Filter element - 20μm	XC16	Copper-free
Q1	Metal Bowl With/Sight Glass	Q2	Metal Bowl NO Sight Glass

Note1) Refer to page 935 for Built-in Check Valve, Tamper Resistant Kit.
* If ordering more than one option, indicate symbols numerically then alphabetically Ex) 2EK

* Over Max. pressure value can be set.

Pressure Gauge

Symbol	Description	Pressure Range
Blank	None	
G	Integral Pressure Gauge (W/Limit Indicator)	1.0MPa
P	Pressure Gauge	1.0MPa
P2	Pressure Gauge	0.2MPa
P4	Pressure Gauge	0.4MPa

Drain Option

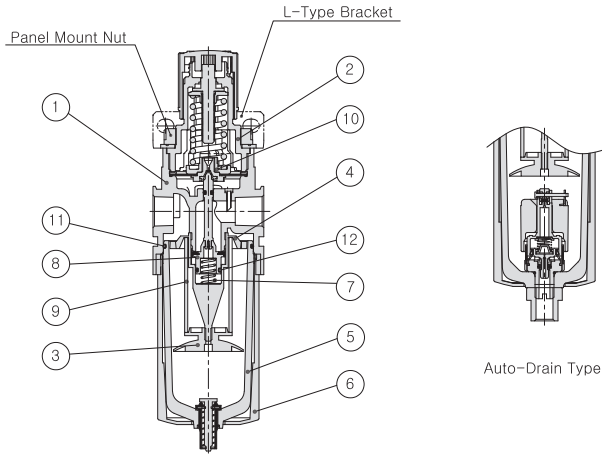
Blank	Manual Push Drain
D	Auto Drain (N.O Type)

Note3)

Note3) Min. operating pressure is 0.15MPa (20psi) for Auto Drain (N.O Type)

Series PP4

Construction



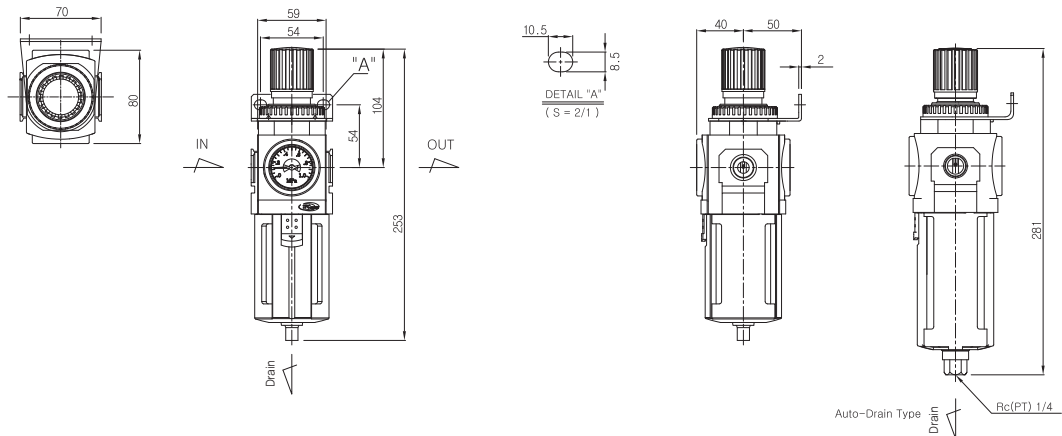
Main Parts/Parts List

No.	Description	Material	Remark
①	Body	Aluminum	
②	Bonnet	Nylon	
③	Baffle	Acetal	
④	Deflector	Acetal	
⑤	Bowl	Polycarbonate	
⑥	Bowl Guard	Nylon	
⑦	Valve Spring	Stainless Steel	

Replacement Parts/Parts List

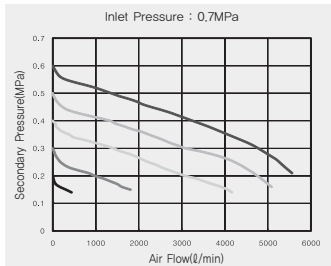
No.	Description	Material	Part No.
⑧	Valve Ass'y	Nylon+NBR	PP4-08A001-01
⑨	Filter Element	Polyethylene	PF4-24-005-01
⑩	Diaphragm Ass'y	Nylon+NBR	PR4-11A001-01
⑪	Bowl O-ring	NBR	TAF4000-08-6000
⑫	Valve O-ring	NBR	PR3-04-001-01

Dimensions

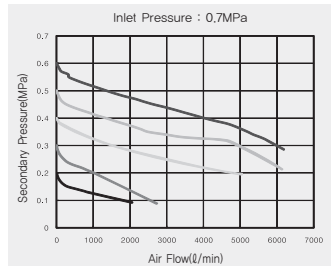


Flow Characteristics

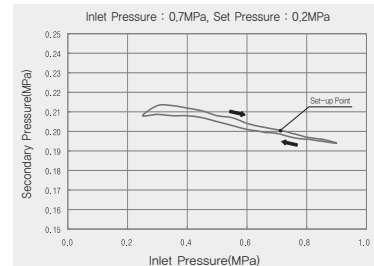
▶ 3/8" PP4



▶ 1/2" PP4



Pressure Characteristics



PC2

PF2

PR2

PL2

PP2

PC3

PF3

PR3

PL3

PP3

PC4

PF4

PR4

PL4

PP4

PC5

PF5

PR5

PL5

PP5

PFH(U)2~
PFH(U)5

PPH(U)3~
PPH(U)4

PLV

PSH

PCV

MB